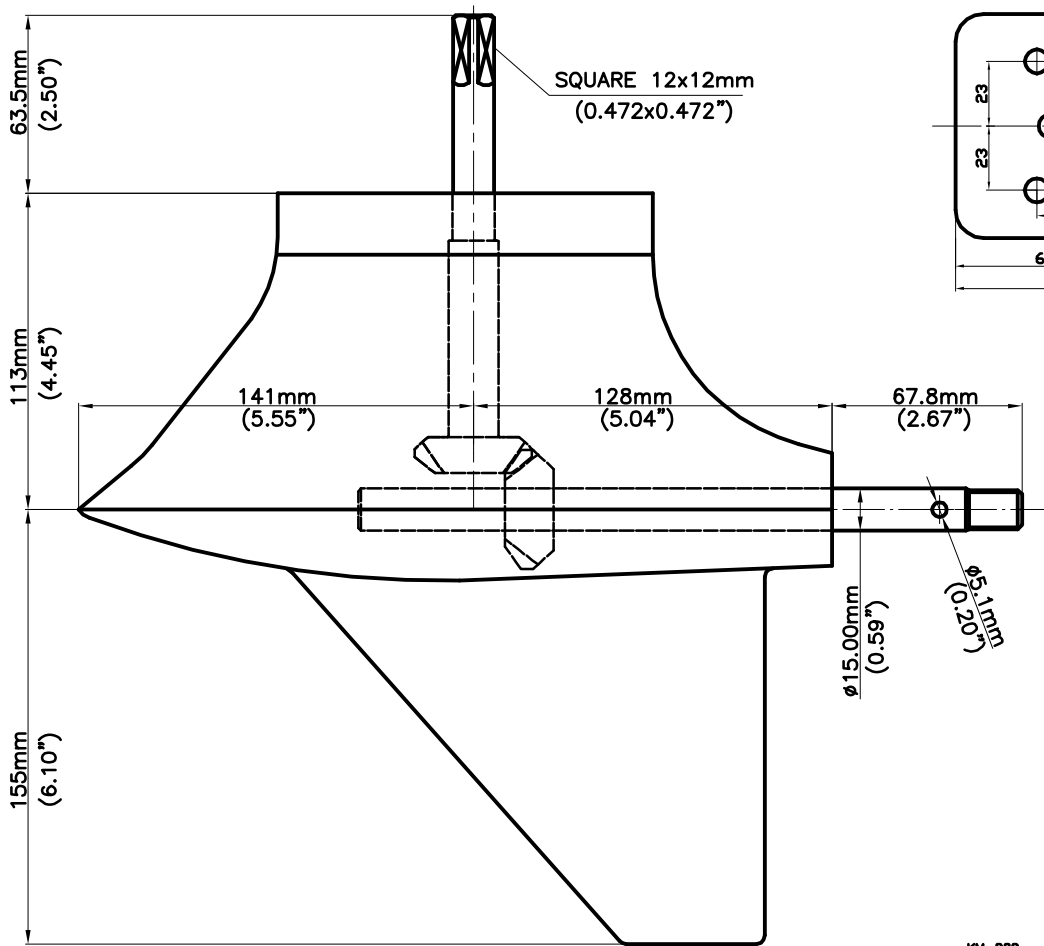


# DRAWING OF KONNY GEARBOX 14:15



Mounting bores in driveshaft casing steel

