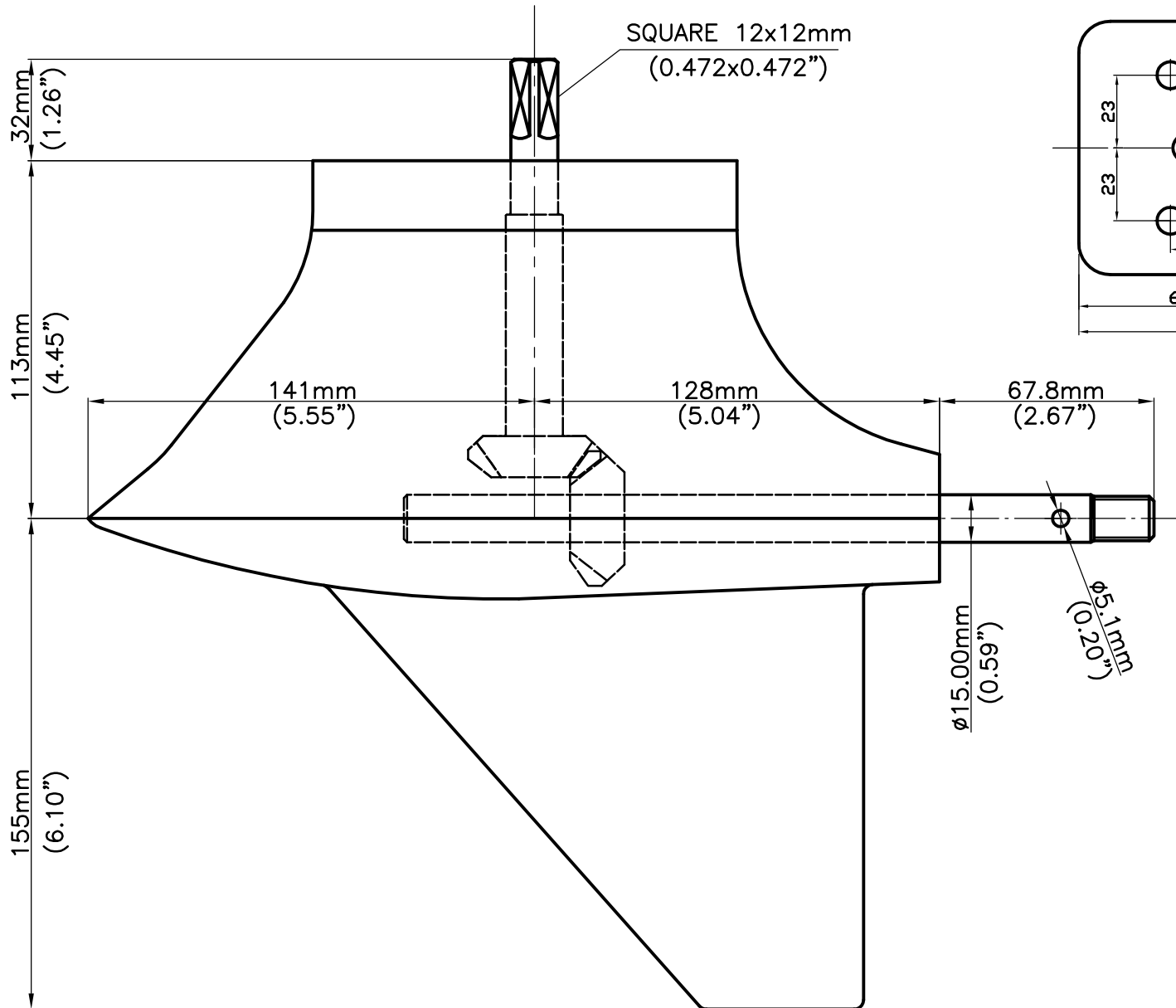


DRAWING OF KONNY GEARBOX 15:14



Mounting bores in driveshaft casing steel

